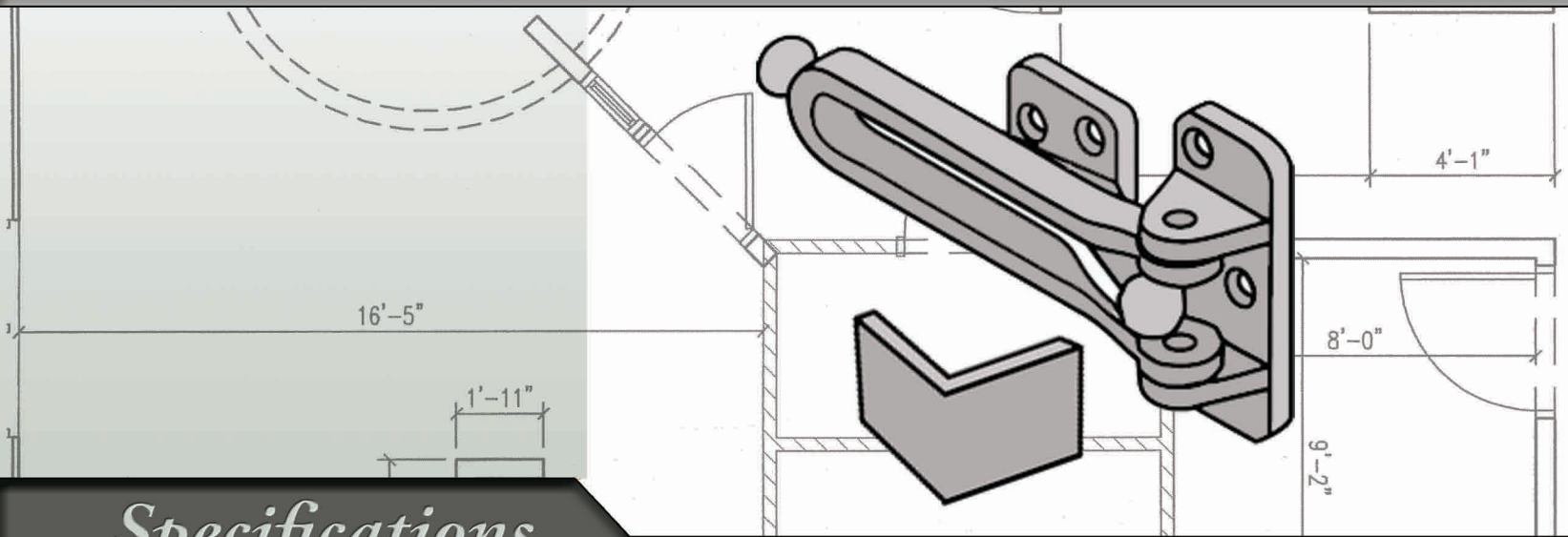


DG-EP Door Guard w/ Edge Protector



Specifications

Part Number : DG-EP Door Guard w/ Edge Protector

ANSI : ANSI A156.16: L03041

Base Material : Solid cast brass

DG Dimensions: 2 1/2" Height

5 1/8" Length

EP Dimensions : 1/2" Height

1" Width

Fasteners : 3 ea. #6 x 1 1/2" Oval head sheet metal screws for body

4 ea. #6 x 3/4" Oval head sheet metal screws for strike